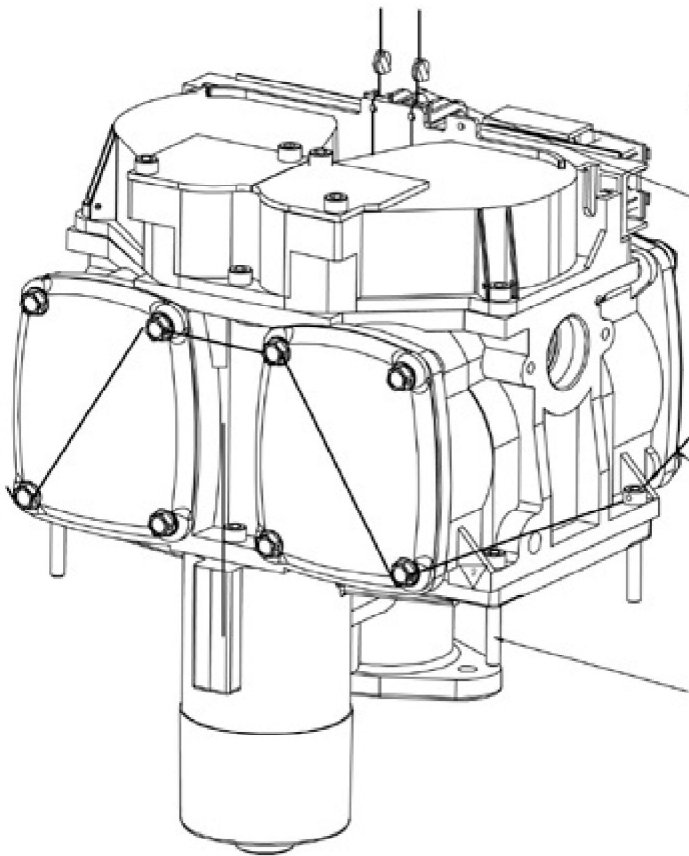


SECTION SHOWING PLACEMENT OF SEALING WIRE FOR SEALING OF PULSER AND CALIBRATION FLAPS. PLACE SEALING AS CLOSE TO SEALED PARTS AS POSSIBLE.



SEALING OF PULSER AND CALIBRATION FLAPS

SEALING OF METER

FASTEN IN THE SUPPORT FOR DISPENSER

